

knitter-switch

Discontinuation of Products

Products affected: ATEF 1 D, ATEF 1 D-RA, ATEF 1 D-VM
ATEF 1 E, ATEF 1 E-RA, ATEF 1 E-VM
ATEF 1 F, ATEF 1 F-RA, ATEF 1 F-VM
ATEF 1 G, ATEF 1 G-RA, ATEF 1 G-VM
ATEF 1 H, ATEF 1 H-RA, ATEF 1 H-VM
ATEF 2 D, ATEF 2 D-RA, ATEF 2 D-VM
ATEF 2 E, ATEF 2 E-RA, ATEF 2 E-VM
ATEF 2 F, ATEF 2 F-RA, ATEF 2 F-VM
ATEF 2 G, ATEF 2 G-RA, ATEF 2 G-VM
ATEF 2 H, ATEF 2 H-VM

Effectivity date: immediately

Details:

Due to unavailability of parts from component suppliers we are forced to discontinue above switches.

For replacement please consider ATE-series, which comes with standard toggle instead of the long flat toggle, with improved number of cycles and with clearly specified IP67 protection level. See exemplary data-sheets attached.

Ordering codes are aligned, e .g.

ATE 1 D replaces ATEF 1 D

ATE 1 E-RA is replacing ATEF 1 E-RA etc. etc.

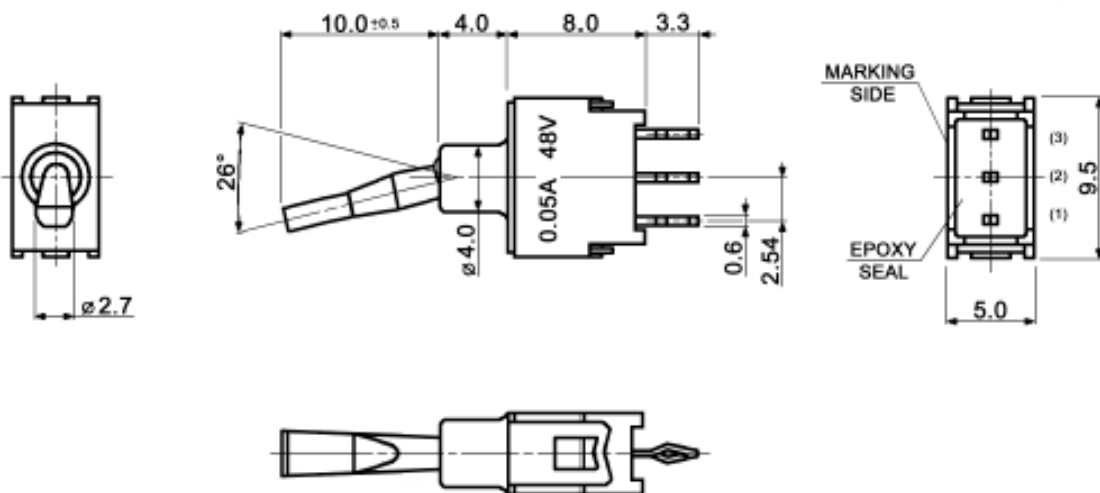
knitter-switch, July 2024



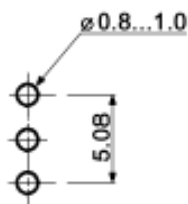
Oliver Kluj

Switches

knitter-switch



P.C. MOUNTING



x	Switch function
D	on - on
E	on - off - on
F	on - mom
G	mom - off - mom
H	on - off - mom

Lever position:
For code F and H: "mom" is on the right side when looking at the marking side.
The closed contacts are opposite to the lever position.

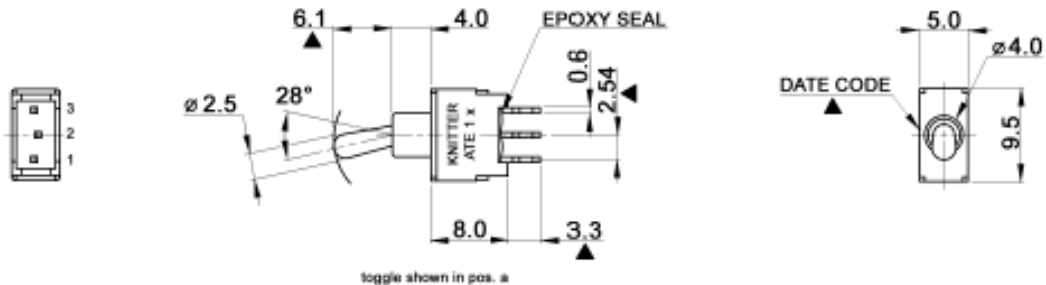
Specifications:

Contact rating:	max.: 0.4VA, 48V AC/DC / max. 50mA min.: 1µA, 20mV AC/DC
Contact resistance:	50mOhm max. at 1.5mA, 200µV AC
Insulation resistance:	500MOhm min. at 250V DC
Dielectric strength:	250V AC for 1 minute
Operating temperature:	-20°C to +85°C
Mechanical life:	30 000 cycles
Operating force:	50-350gf
Material:	Contact: phosphor bronze, gold plated Lever / frame: brass, nickel plated Terminal: phosphor bronze, gold plated Case: PBT resin, grey

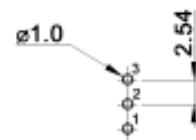


Tolerances: ≤6: ±0.20mm 6-18: ±0.40mm	Date 11/13	Name dr	ATEF 1 x	
			30 29 65	
			Page 1/1	
Modifications	Date	Name		

knitter-switch



P.C. MOUNTING



CONTACT ARRANGEMENT

code for x	function	toggle in pos. a	toggle in pos. c
D	On-On	2-3	1-2
F	On-Mom	2-3	1-2

code for x	function	toggle in pos. a	toggle in pos. b	toggle in pos. c
E	On-Off-On	2-3	open	1-2
G	Mom-Off-Mom			
H	On-Off-Mom			

Specifications:

Contact rating: max.: 0.4VA, 48V AC or DC, 50mA
 min.: 1µA, 20mV AC or DC
Contact resistance: 50mOhm max. at 2-4V DC, 100mA
Insulation resistance: 1000MOhm min.
Dielectric strength: 500V RMS
Operating temperature: -20°C to +85°C
Electrical life: 40 000 make-and-break cycles
Soldering conditions: wave-soldering: 260 +/-5°C, 5 +/-1sec.
Protection: IP67
Material: Actuator: brass, tin-cobalt alloy over nickel plated
 Bushing / housing: SPCC, nickel plated
 Case: glass filled nylon 6/6, flame retardant, heat stabilized (UL94V-0)
 Contact: phosphor bronze, gold plated over nickel barrier
 Terminals: brass, gold plated over nickel barrier
 Terminal seal: epoxy

Compliance: RohS III (2015/863/EU)

Tolerances: 0.00: ±0.25mm 0.0: ±0.40mm		Date 03/14	Name dr	ATE 1 x
		knitter-switch		30 30 52
Material	04/24	dr		Page 1/1
Modifications	Date	Name		