

knitter-switch

Product- Change Notice

Product affected: MMP 121 R

Valid from: immediately

Details:

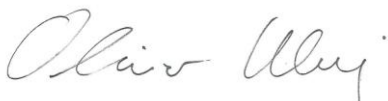
The component was revised.

The appearance and technical data remain.

The PCB layout recommendation was defined more detailed.

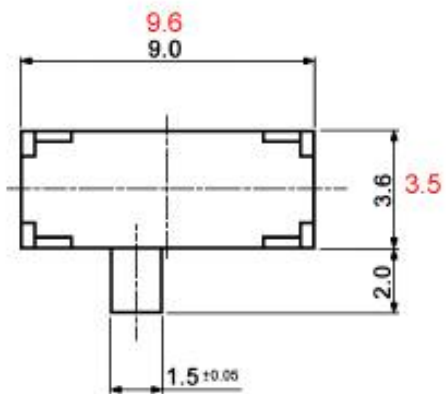
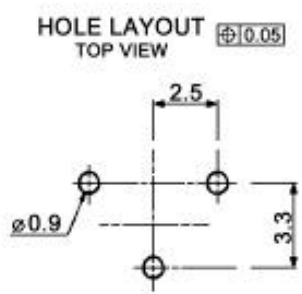
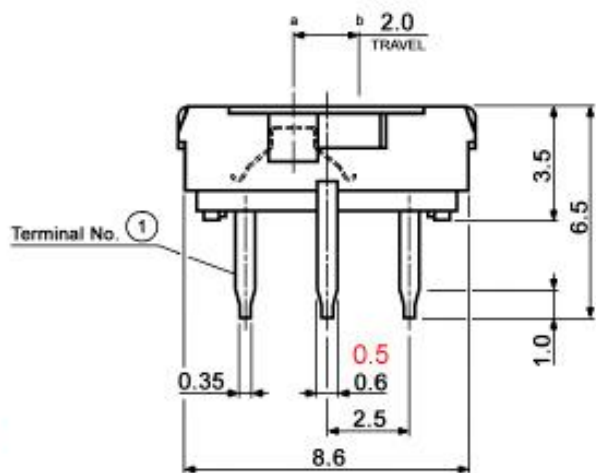
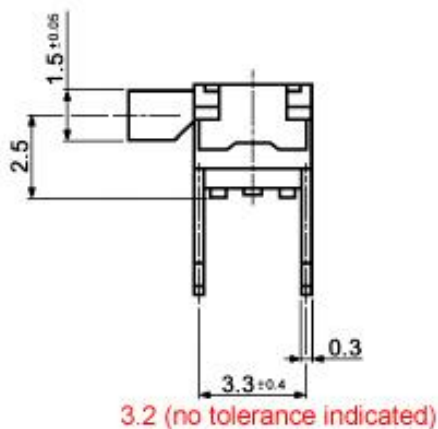
See following page for new version and modifications compared to previous version.

knitter-switch, November 2012



Oliver Kluj
Technical Director

knitter-switch

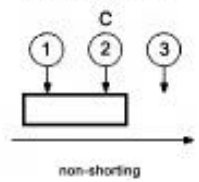


red text is valid for previous version
roter Text ist gültig für Vorgängerversion

Specifications:

- Contact rating: 0.2A, 12V DC
- Contact resistance: 50mOhm max.
- Insulation resistance: 100MOhm min. at 500V DC for 1 minute
- Dielectric strength: 500V AC (50/60Hz, 2mA)
- Operating temperature: -10°C to +60°C
- Mechanical life: 5 000 cycles
- Electrical life: 5 000 cycles
- Operating force: 250 +/-150gf
- Soldering conditions: 260 +/-5°C, 5 +/-1sec.
- Material: Terminal: brass strip, silver plated
Cover: stainless steel, washing
Slider / case: PA, black
Contact plate: stainless steel, silver plated

CIRCUIT DIAGRAM
C: COMMON PIN
BOTTOM VIEW



phosphor bronze
Phosphor-Bronze



Tolerances: up to 10: ±0.2mm above 10-50: ±0.3mm	Date	Name
	11/12	dr

MMP 121-R

knitter-switch

30 27 42

Page
1/1

Modifications	Date	Name
---------------	------	------