

knitter-switch

Product-Change Notification

Products affected: MFS 201 N-SW

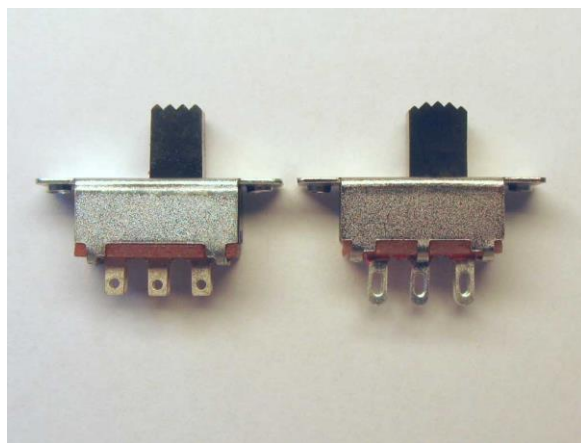
Effective date: after current stock is sold out

Details:

Due to worn-out moulds and factory relocation the product was revised.

General technical data, such as rating and number of cycles, remain.

The appearance of slider and terminals is slightly different in the new version.



Old
(drawing 30 18 96)

New
(drawing 30 40 44)

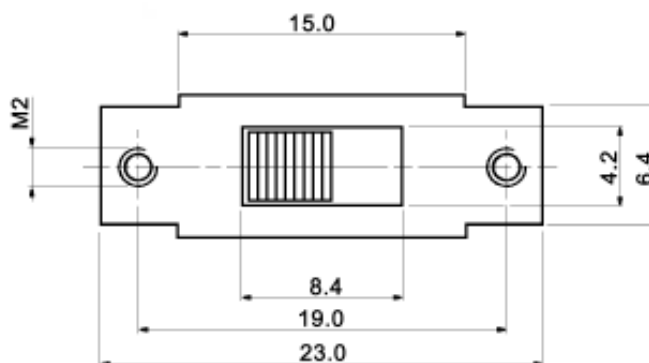
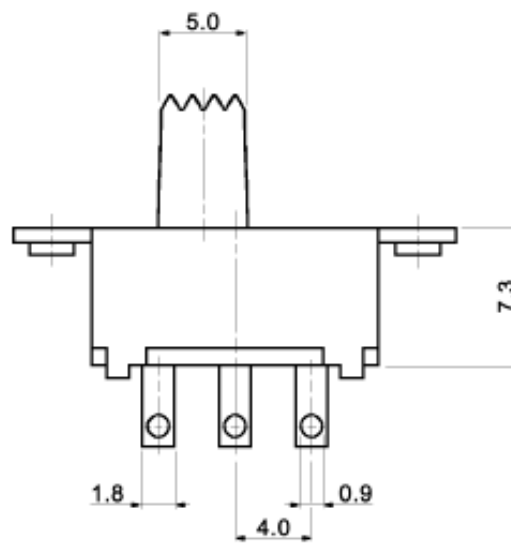
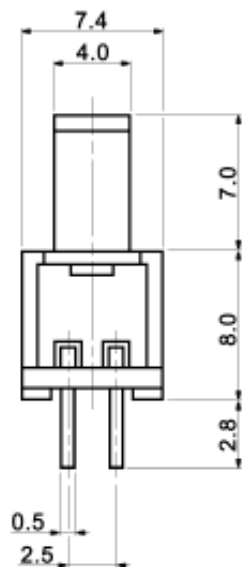
See attached data-sheets for details.

Knitter-switch, April 2018

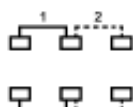
A handwritten signature in black ink that reads "Oliver Kluj".

Oliver Kluj
Technical Director

knitter-switch



SCHEMATIC



Specifications:

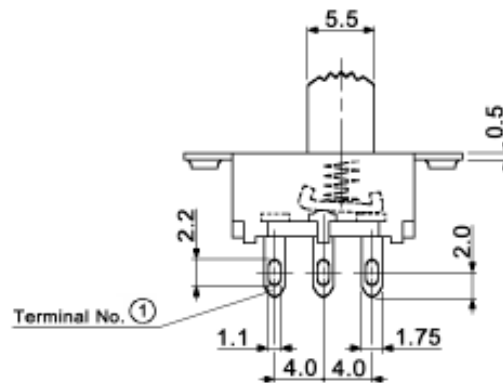
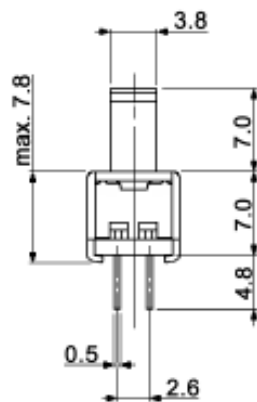
Contact rating:	350mA, 30V DC
Contact resistance:	20mOhm max.
Insulation resistance:	100MOhm min. at 500V DC
Dielectric strength:	500V, 50Hz for the duration of 1 minute
Operating temperature:	-20°C to +85°C
Mechanical life:	min. 10 000 cycles
Soldering conditions:	hand-soldering: max.: 270°C, 5sec.
Switching function:	on - on
Timing:	non-shorting
Material:	Terminals / contacts: brass, min. 1µm Ag over min. 1µm Ni Spring: Spring wire Base: Phenolic resin Frame: SPCC Slider: ABS

x	Button color
SW	black
RT	red- OBSOLETE

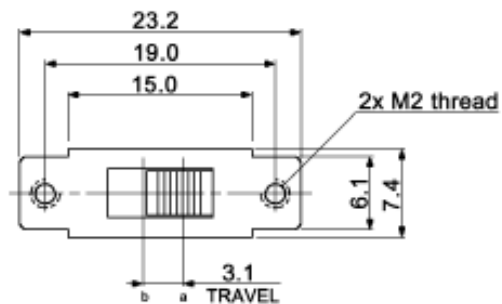
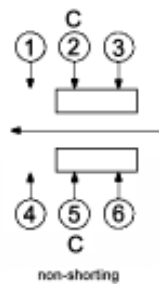
Compliance: RohS II (2011/65/EU)

Tolerances:			Date	Name	MFS 201 N x
			08/09	dr	
Material	10/17	dr	knitter-switch		30 18 96
Red - obsolete	07/16	dr			
Modifications	Date	Name			1/1

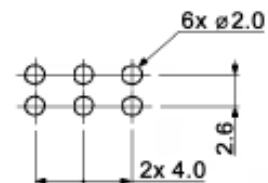
knitter-switch



CIRCUIT DIAGRAM
C: COMMON PIN
BOTTOM VIEW



HOLE LAYOUT ± 0.05



Specifications:

- Contact rating: 0.35A, 30V DC
- Contact resistance: 20mOhm max.
- Insulation resistance: 100MOhm min. at 500V DC for 1 minute
- Dielectric strength: 500V AC (50/60Hz, 2mA) for 1 minute
- Operating temperature: -40°C to +85°C
- Mechanical life: 10 000 cycles
- Operating force: 250 +/-100gf
- Soldering conditions: iron-method: 350 +/-10°C, 3 +/-1sec.
- Material: Terminal: brass strip, silver plated
Frame: SPCC, nickel plated
Base: phenolic resin, natural
Contact plate: brass strip, silver plated
Spring: SWC, temper
Slider: POM, black

Compliance: RohS II (2011/65/EU)

Tolerances: up to 10: ±0.20mm above 10-50: ±0.30mm	Date 03/18	Name dr	<h2>MFS 201 N-SW</h2>	<h3>30 40 44</h3>	Page
					1/1
Modifications	Date	Name			