

# knitter-switch

## Discontinuation of Products

Products affected:                   MSP 121 C RT, MSP 121 C SW

Effectivity date:                    After current stock is sold out

### Details:

Due to worn out tools production of these pushbutton switches is discontinued.

For replacement consider use of MPS 29 C R and MPS 29 C K.

These products feature enhanced rating and number of cycles.

Data-sheets for comparison attached.

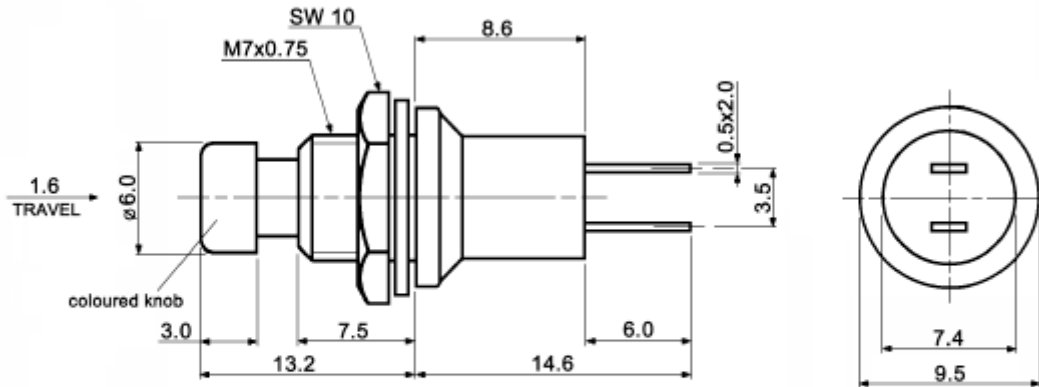
knitter-switch, November 2017



Oliver Kluj

Technical Director

# knitter-switch



xx	Knob colour
RT	red
SW	black

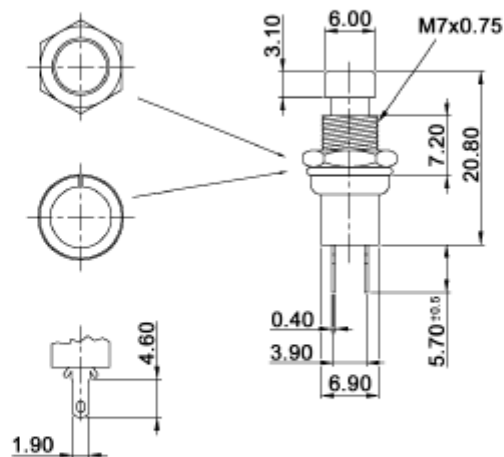
**Specifications:**

Contact rating: 650mA, 30V DC  
 Contact resistance: 20mOhm max.  
 Insulation resistance: 500MOhm min. at 500V DC  
 Dielectric strength: 500V, 50Hz for the duration of 1 minute  
 Operating temperature: -20°C to +60°C  
 Mechanical life: min. 20 000 cycles  
 Soldering conditions: hand-soldering: max.: 260 +/-5°C, 3sec.  
 Mounting: single-hole  
 Contact arrangement: normally open  
 Material: phenolformaldehyde, black  
 Contacts: brass, silver plated  
 Terminals: solder tags



Tolerances:		Date	Name	<b>MSP 121 C xx</b>
		12/08	dr	
			<b>knitter-switch</b>	<b>20 09 63</b>
Modifications		Date	Name	Page 1/1

# knitter-switch



x	Button colour
W	white
K	black
R	red
Y	yellow
G	green

## Specifications:

Contact rating: 0.65 A, 30 V DC; 1 A, 125 V AC  
 Contact resistance: 20 mOhm max.  
 Insulation resistance: 100 MOhm min.  
 Dielectric strength: 1500 V AC  
 Operating temperature: -20°C to +60°C  
 Storage temperature: -20°C to +60°C  
 Mechanical life: 100 000 cycles min.  
 Electrical life: 50 000 cycles min.  
 Switching function: off - mom  
 Material: Contact / terminal: bronze, silver plated  
 Compliance: RohS II (2011/65/EU)

Tolerances: 0.00 to 10.00: ±0.20mm 10.01 to 20.00: ±0.25mm 20.01 to 30.00: ±0.30mm	Date	Name	<b>MPS 29 Cx</b>
	06/17	dr	
			<b>30 38 95</b>
			Page
			1/1
Temperatures	07/17	dr	
Modifications	Date	Name	