

knitter-switch

Discontinuation of Products

Products affected: MFP 461 N-RA

Effectivity date: after coming lot is sold

Details:

Due to lack of demand and worn-out tools continuation of production becomes uneconomical.

For replacement, MFP 421 N-RA is recommended. Data-sheet see next page.

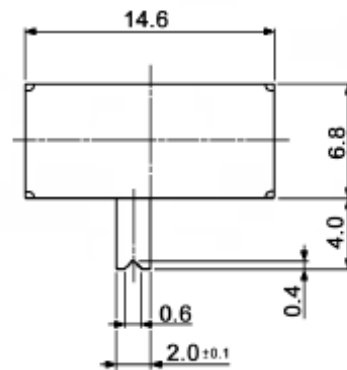
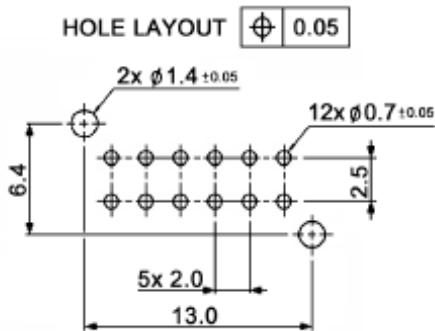
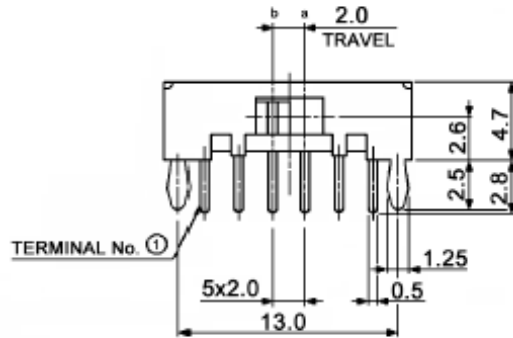
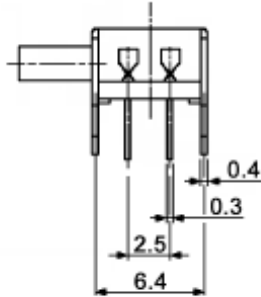
knitter-switch, February 2013



Oliver Kluj

Technical Director

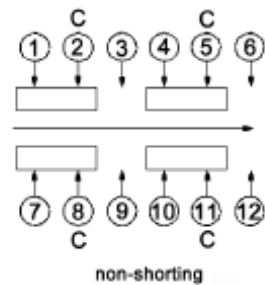
knitter-switch



Specifications:

Contact rating:	0.2A, 30V DC
Contact resistance:	30mOhm max.
Insulation resistance:	100MOhm min. at 500V DC for 1 minute
Dielectric strength:	500V AC (50/60Hz, 2mA) for 1 minute
Operating temperature:	-10°C to +60°C
Mechanical life:	10 000 cycles
Operating force:	200 +/-100gf
Soldering conditions:	260 +/-5°C, 5 +/-1sec.
Material:	Spring plate: stainless steel, washing Terminal: brass strip, silver plated Base: phenolic resin, natural Contact clip: phosphor bronze, silver plated Frame: steel, tin plated Slider: PBT, black

CIRCUIT DIAGRAM C: COMMON PIN BOTTOM VIEW



Tolerances: up to 10: ±0.2mm above 10-50: ±0.3mm		Date	Name	<h1>MFP 421 N-RA</h1>
		02/13	dr	
			knitter-switch	30 27 91
				Page 1/1
Modifications	Date	Name		