

# knitter-switch

## Product Discontinuation Notice

Affected product: MMP 231

Effective date: after current stock is sold out

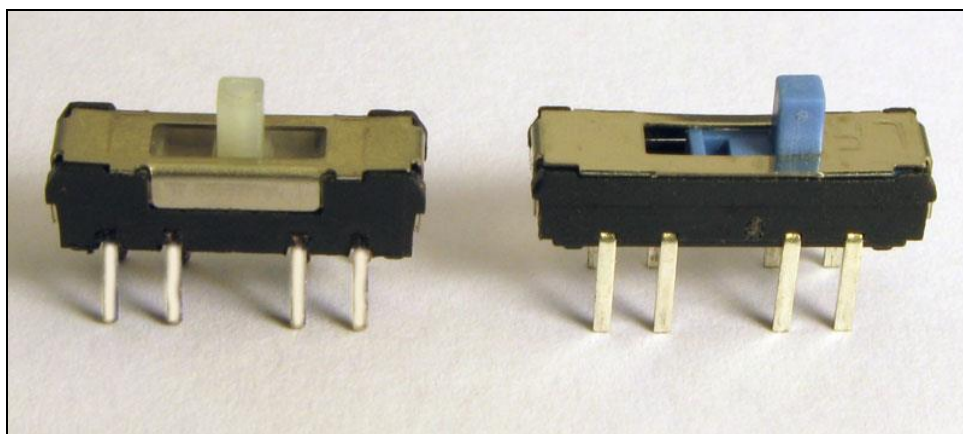
### Details:

In course of production relocation the component has been revised.

The revised part is designed to replace the previous one without additional measures on customers side.

The ordering code of the new part is MMP 238 and it has a blue slider.

Delivery is now in pos. 3 and no longer in pos.2.

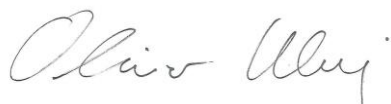


MMP 231

MMP 238

For more details see attached data-sheets.

knitter-switch, September 2020

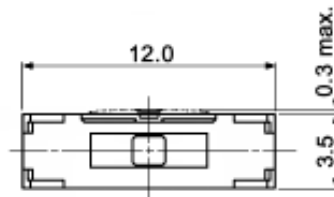
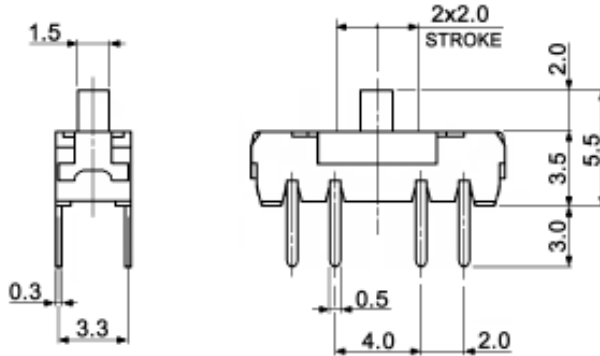


Oliver Kluj  
Technical Director

# knitter-switch



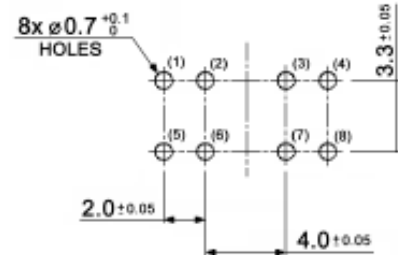
POS. 1 → POS. 2 → POS. 3



## SWITCHING FUNCTION

POS. 1	POS. 2	POS. 3
ON	ON	ON
1 - 3	2 - 3	3 - 4
5 - 7	6 - 7	7 - 8

## MOUNTING DIMENSIONS



### Specifications:

Contact rating:	max.: 0.2A, 12V DC min.: 10mA, 5V DC
Contact resistance:	50mOhm max.
Insulation resistance:	100MOhm min. at 500V DC
Dielectric strength:	500V AC for the duration of 1 minute
Electrical life:	5 000 cycles
Operating force:	50-400gf
Soldering conditions:	270 +/-10°C max., 3sec.
Contact timing:	non-shorting type
Material:	Frame: stainless steel Lever: polyamide resin (PA), natural Movable contact: phosphor bronze, silver plated Terminal: brass, silver plated Case: polyphenylene sulfide (PPS), black

Compliance: RohS II (2011/65/EU)

Tolerances:	<6: ±0.2mm 6-18: ±0.4mm	Date	Name
		04/14	dr
Modifications	Date	Name	

## MMP 231

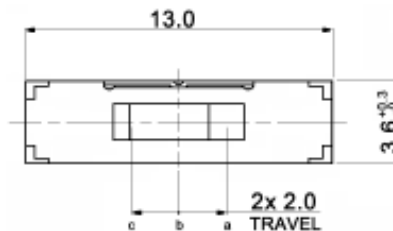
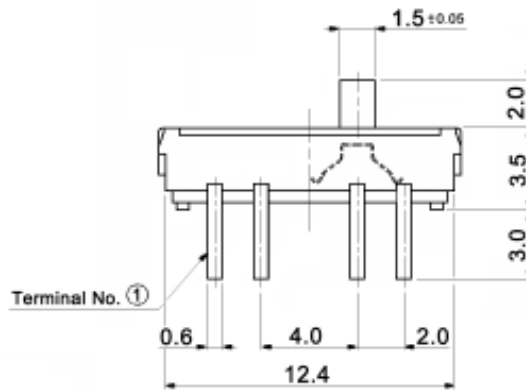
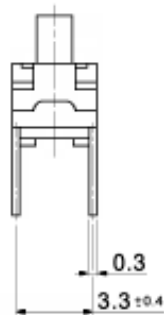
### 30 30 99

Page

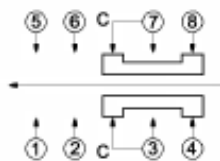
1/1

**knitter-switch**

# knitter-switch



CIRCUIT DIAGRAM  
C: COMMON PIN



HOLE LAYOUT  
TOP VIEW  $\pm 0.05$



**Specifications:**

Contact rating:	0.3A, 12V DC
Contact resistance:	50mOhm max.
Insulation resistance:	100MOhm min. at 500V DC for 1 minute
Dielectric strength:	500V AC (50/60Hz, 2mA) for 1 minute
Operating temperature:	-10°C to +60°C
Mechanical life:	5 000 cycles
Operating force:	a-b c-b: 200 +/-100gf b-a b-c: 300 +/-150gf
Soldering conditions:	260 +/-5°C, 5 +/-1sec.
Timing:	non-shorting
Material:	Terminal: brass strip, silver plated Cover: stainless steel, washing Slider: nylon, blue Contact plate: SUS, silver plated Case: nylon, black

Compliance: RohS III (2015/863/EU)

Tolerances:	Date	Name
up to 10: $\pm 0.2$ mm	12/09	dr
above 10-50: $\pm 0.3$ mm		
Specifications	08/20	dr
Modifications	Date	Name

**MMP 238**

**30 19 82**

Page  
1/1

**knitter-switch**