

## Product Discontinuation Notice

Affected product: MMP 231 R

Effective date: after current stock is sold out

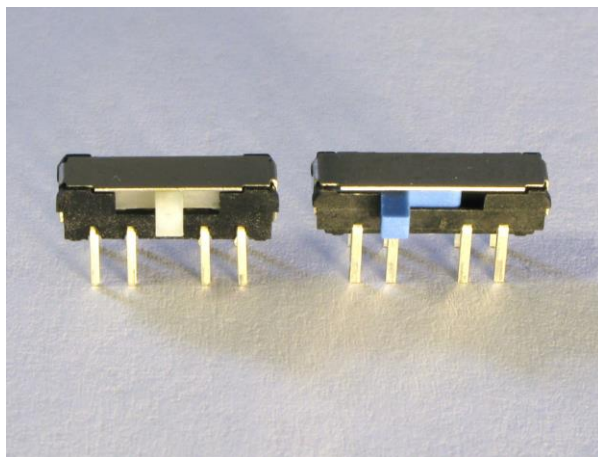
### Details:

In course of production relocation, the component has been revised.

The revised part is designed to replace the previous one without additional measures on customers side.

The ordering code of the new part is MMP 238 R and it has a blue slider.

Delivery is now in pos. 1 and no longer in pos.2.



MMP 231 R

MMP 238 R

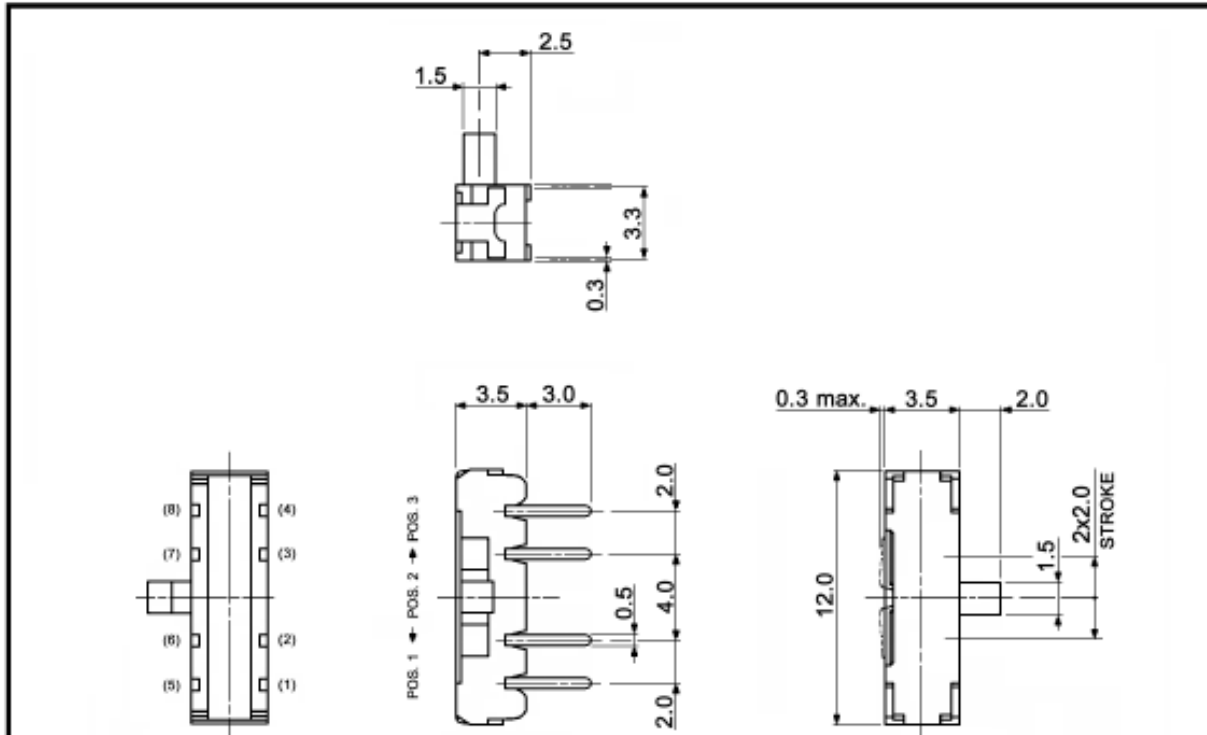
For more details see attached data-sheets.

knitter-switch, January 2019



Oliver Kluj  
Technical Director

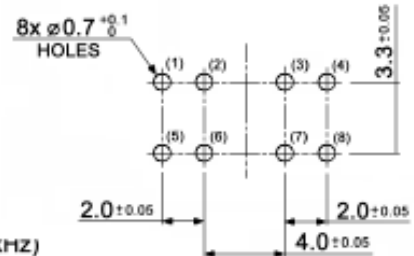
# knitter-switch



### SWITCHING FUNCTION

POS. 1	POS. 2	POS. 3	(1)	(2)	(3)	(4)	(5)	(6)	(7)	(8)
ON	ON	ON	(3)	(2)	(4)	(5)	(6)	(7)	(8)	(1)
3-4	3-2	3-1								
7-8	7-6	7-5								

### MOUNTING DIMENSIONS



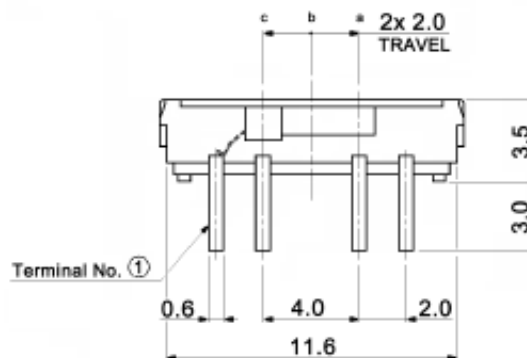
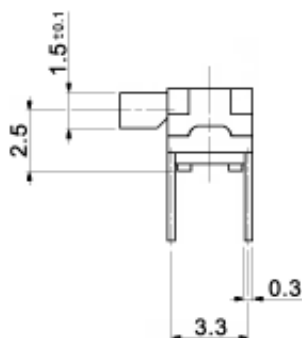
### Specifications:

Contact rating:	0.2A, 12V DC
Contact resistance:	50mOhm max. at 1.5mA, 200µV AC (1kHz)
Insulation resistance:	100MOhm min. at 500V DC
Dielectric strength:	500V RMS
Operating temperature:	-20°C to +70°C
Electrical life:	5 000 cycles
Operating force:	50-400gf
Soldering conditions:	270 +/-10°C max., 3sec.
Contact timing:	non-shorting type
Material:	Frame: stainless steel Lever: polyamide resin (PA), natural Movable contact: phosphor bronze, silver plated Terminal: brass, silver plated Case: polyphenylene sulfide (PPS), black

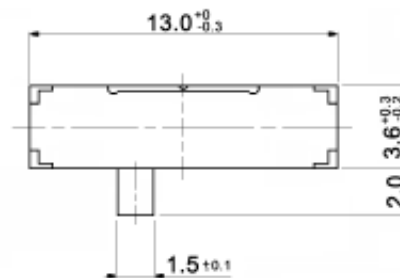
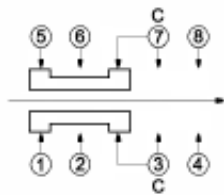


Tolerances: <8: ±0.2mm 6-18: ±0.4mm	Date 02/08	Name dr	<h2>MMP 231-R</h2>	<h2>30 13 76</h2>	Page
					1/1
Switching function	03/12	dr	<b>knitter-switch</b>	<b>30 13 76</b>	
Modifications	Date	Name			

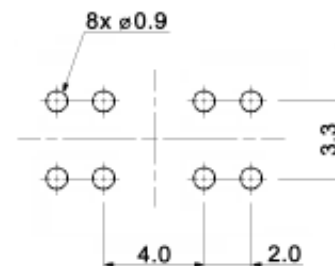
# knitter-switch



CIRCUIT DIAGRAM  
C: COMMON PIN



HOLE LAYOUT  
TOP VIEW



## Specifications:

Contact rating:	0.24A, 30V DC
Contact resistance:	70mOhm max.
Insulation resistance:	100MOhm min. at 500V DC for 1 minute
Dielectric strength:	500V AC (50/60Hz, 2mA) for 1 minute
Operating temperature:	-20°C to +60°C
Mechanical life:	5 000 cycles
Operating force:	a-b c-b: 200 +/-100gf b-a b-c: 300 +/-150gf
Soldering conditions:	260 +/-5°C, 10 +/-1sec.
Timing:	non-shorting
Material:	Terminal: brass strip, silver plated Cover: stainless steel, washing Slider: nylon, blue Contact plate: C7035, silver plated Case: nylon, black



Tolerances: up to 10: ±0.2mm above 10-50: ±0.3mm	Date	Name
	05/12	dr
Modifications	Date	Name

## MMP 238-R

### 30 26 23

Page  
1/1