

# knitter-switch

## Discontinuation Of Products

Product affected:               MMP 131 R

Effective date:                 immediately

### Details:

Some tools used for production of this switch are worn out. Due to lack of demand, the tools will not be replaced.

For replacement we suggest MMP 238 R as attached

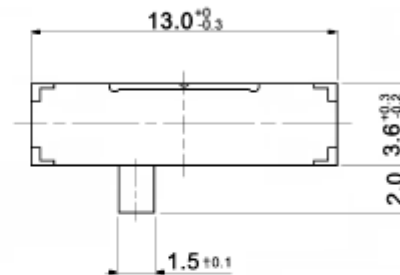
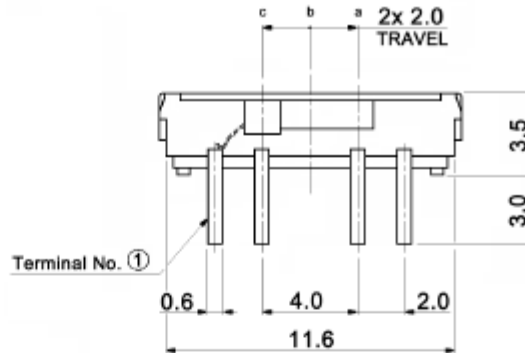
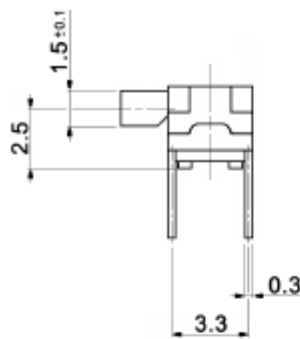
knitter-switch, November 2013



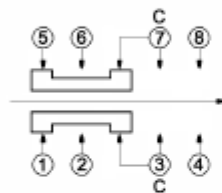
Oliver Kluj

Technical Director

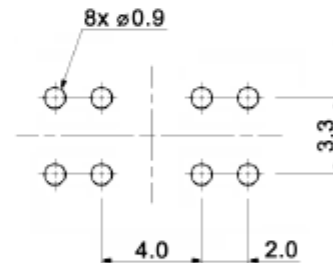
# knitter-switch



CIRCUIT DIAGRAM  
C: COMMON PIN



HOLE LAYOUT  
TOP VIEW  $\pm 0.05$



## Specifications:

Contact rating:	0.24A, 30V DC
Contact resistance:	70mOhm max.
Insulation resistance:	100MOhm min. at 500V DC for 1 minute
Dielectric strength:	500V AC (50/60Hz, 2mA) for 1 minute
Operating temperature:	-20°C to +60°C
Mechanical life:	5 000 cycles
Operating force:	a-b c-b: 200 +/-100gf b-a b-c: 300 +/-150gf
Soldering conditions:	260 +/-5°C, 10 +/-1sec.
Timing:	non-shorting
Material:	Terminal: brass strip, silver plated Cover: stainless steel, washing Slider: nylon, blue Contact plate: C7035, silver plated Case: nylon, black



Tolerances: up to 10: ±0.2mm above 10-50: ±0.3mm	Date	Name
	05/12	dr

## MMP 238-R

**knitter-switch**

**30 26 23**

Page  
1/1

Modifications	Date	Name
---------------	------	------