

knitter-switch

Product-Discontinuation Notice

Affected products: MMP 124 R

Effective date: immediately

Details:

Due to worn-out tools the production of this switch model stopped. A mold renewal is uneconomic because of low demand.

For replacement, we recommend MMP 124 R-N, which will fit in most applications.

Please find data-sheets for comparison attached.

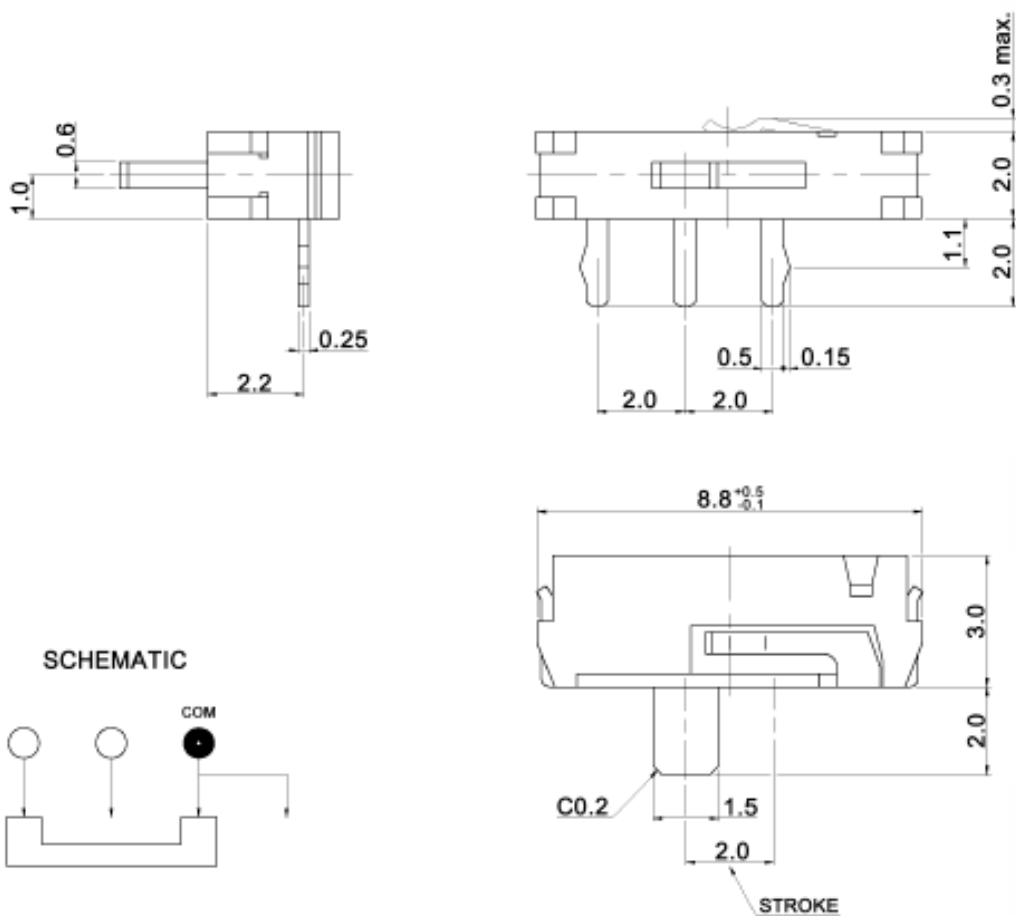
knitter-switch, April 2021



Oliver Kluj

Technical Director

knitter-switch

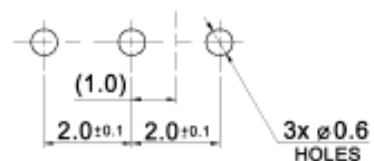


Specifications:

Contact rating: 0.3A, 4V DC
Contact resistance: 70mOhm max.
Insulation resistance: 100MOhm min. at 500V DC
Dielectric strength: 500V AC for 1 minute
Operating temperature: -40°C to +85°C
Mechanical life: 10 000 cycles
Operating force: 120 +/-75gf
Soldering conditions: pre-heat: max. 100°C, max. 60sec.
soldering: max. 260°C, max. 3-5sec.

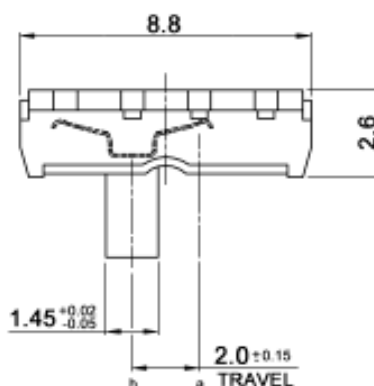
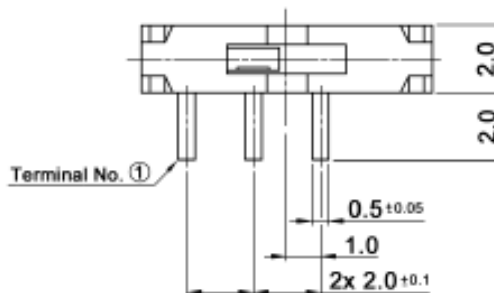
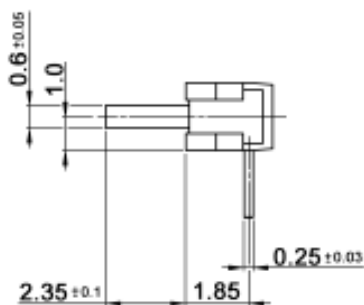
Material: Contact / terminal: copper alloy, silver plated
Frame: liquid crystal polymer, black
Slider: polyamide, glass fiber, white
Cover: stainless steel

P.C.B. LAYOUT

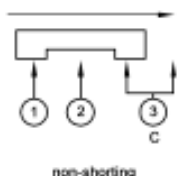


Tolerances: ±0.3mm		Date	Name	<h1>MMP 124 R</h1>
		01/11	dr	
		knitter-switch		30 22 77
Modifications		Date	Name	Page 1/1

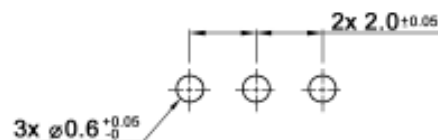
knitter-switch



CIRCUIT DIAGRAM
C: COMMON PIN



HOLE LAYOUT
TOP VIEW



Specifications:

- Contact rating: 0.5 A, 4 V DC
- Contact resistance: 70 mOhm max.
- Insulation resistance: 100 MOhm min. at 100 V DC for 1 minute
- Dielectric strength: 100 V AC (50/60 Hz, 2mA) for 1 minute
- Operating temperature: -40°C to +85°C
- Mechanical life: 10 000 cycles
- Operating force: 150 +/-100gf
- Soldering conditions: pre-heat: max. 100°C, max. 60 sec.
soldering: max. 260°C, max. 3-5 sec.
- Material: Terminal: brass strip, silver plated
Case / slider: nylon, black
Cover: SUS, washing
Contact plate: SUS, silver plated

Compliance: RohS III (2015/863/EU)

Tolerances: up to 10: ±0.2 mm above 10-50: ±0.3 mm	Date	Name
	04/21	dr
Modifications	Date	Name

MMP 124 R-N

knitter-switch

30 46 08

Page
1/1