

# Subminiature Toggle Switches for SMT, waterproof

2

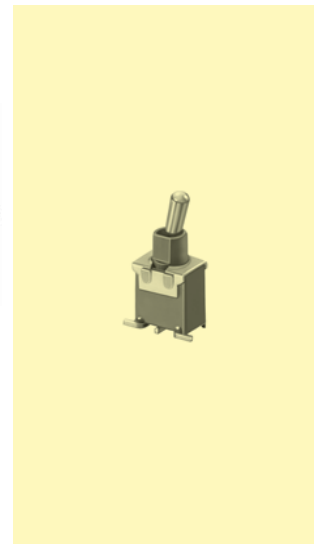
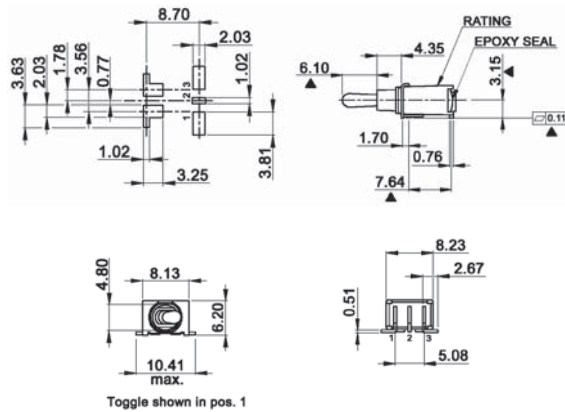
## Specifications:

Contact rating:	max. 20 V AC/DC, 0.4 VA
Contact resistance:	< 20 mΩ
Insulation resistance:	> 1000 MΩ
Dielectric strength:	1000 V RMS at sea level
Operating temperature:	- 30 °C to + 85 °C
Electrical life:	30000 operations at full load
Contacts:	copper alloy, with gold plate over nickel plate
Terminals:	copper alloy, with gold plate over nickel plate
Protection:	IP 67
Material:	case and bushing: glass filled nylon 6/6 (UL 94 V-0) actuator: brass, chromium-plated switch support: brass, tin-plated
Mounting:	on pc-board – SMD

washable

Model: Switching function

SST 1 DB-R on – on



Packing: 500 pcs/reel

