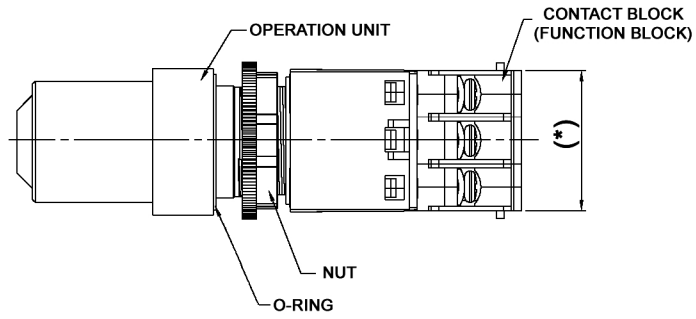


ACTUATOR

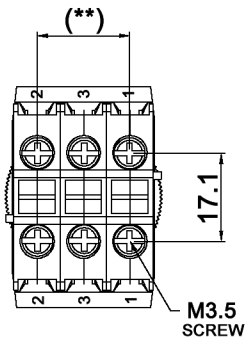


OPERATION UNIT

CONTACT BLOCK (FUNCTION BLOCK)

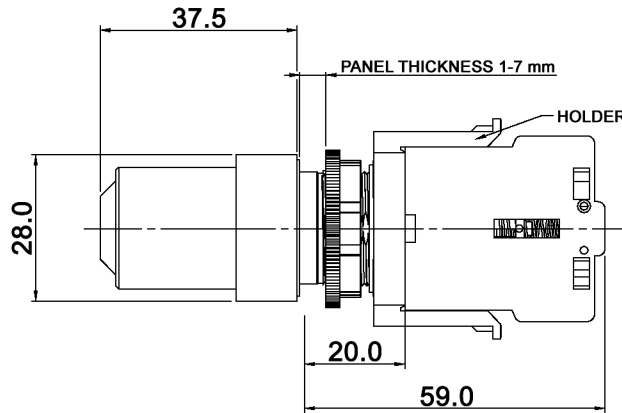
NUT

O-RING



(\*\*)

M3.5 SCREW



37.5

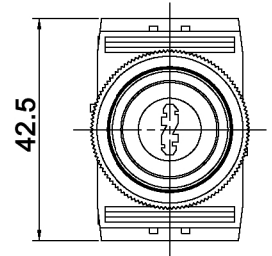
PANEL THICKNESS 1-7 mm

HOLDER

28.0

20.0

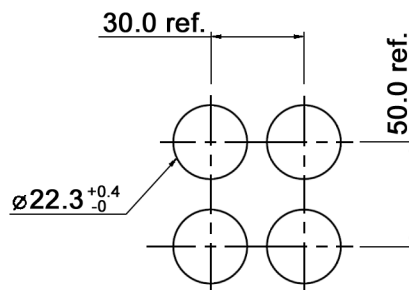
59.0



42.5

(\*) 27.5 for 3 contact blocks; 45.8 for 5 contact blocks  
 (\*\*) 18.2 for 3 contact blocks; 36.4 for 5 contact blocks

PANEL CUT-OUT



30.0 ref.

50.0 ref.

∅22.3<sup>+0.4</sup><sub>-0</sub>

c	Actuator color
W	white
R	red
Y	yellow
G	green
B	blue

p	Operation	type	angle
1	2-position		90°
2	3-position		45°
3	3-position spring return from right		45°
4	2-position spring return from right		90°
5	3-position spring return from two-way		45°

Compliance: RohS III (2015/863/EU)

Tolerances:	0-1: ±0.1mm	Date	Name
	1-4: ±0.3mm	03/18	dr
	4-16: ±0.5mm		
	16-63: ±0.8mm		
Panel design	10/23	dr	
Modifications	Date	Name	

**ICE22RKpc-xx20-Lxxx**  
 Key Selector Switch

**knitter-switch**

**30 40 23**

Page

1/2

**Specifications:**

Utilization category: AC-15; A600; 3 A at 240 V; 1.9 A at 380 V  
 DC-13; P600; 0.55 A at 250 V

Rated thermal current: 10 A

Rated insulation voltage: 650 V

Minimum load: 3 V, 5 mA

Contact resistance: 50 mOhm max.

Insulation resistance: >100 MOhm at 500 V DC

Dielectric strength: 2500 V , 50 Hz for the duration of 1 minute

Operating temperature: illuminated components: -25°C to +55°C  
 other: -25°C to +70°C

Storage temperature: -40°C to +85°C

Operation / storage humidity: 45 to 85 % RH

Ingress protection: IP65 from front

Contamination class: 3

Vibration resistance: 10 - 55 Hz, 0.5 mm

Shock resistance: 10 G (Malfunction), 100 G (Destruction)

Mechanical life: 500k cycles

Electrical life: 500k cycles

Operation force (for ref. only): 0.2 to 0.6 Nm

Contact design: positive break for NC contacts

Number of contact blocks per unit: 5 max.

Referenced safety standards: UL508, CSA 22.2 No. 4, EN60947-5-1, EN60947-5-5

Lxxx	LED	xx	Contacts
L6R	red, 6V AC/DC	10	1 NO
L12R	red, 12V AC/DC	01	1 NC
L24R	red, 24V AC/DC	11	1 NC, 1 NO
LA1R	red, 110V AC	20	2 NO
LA2R	red, 220V AC	21	2 NO, 1 NC
L6B	blue, 6V AC/DC	etc.	etc.
L12B	blue, 12V AC/DC	until	until
L24B	blue, 24V AC/DC	41	4 NO, 1 NC
LA1B	blue, 110V AC	14	1 NO, 4 NC
LA2B	blue, 220V AC		
L6W	white, 6V AC/DC		
L12W	white, 12V AC/DC		
L24W	white, 24V AC/DC		
LA1W	white, 110V AC		
LA2W	white, 220V AC		
L6Y	yellow, 6V AC/DC		
L12Y	yellow, 12V AC/DC		
L24Y	yellow, 24V AC/DC		
LA1Y	yellow, 110V AC		
LA2Y	yellow, 220V AC		
L6G	green, 6V AC/DC		
L12G	green, 12V AC/DC		
L24G	green, 24V AC/DC		
LA1G	green, 110V AC		
LA2G	green, 220V AC		

NOTE:  
 FOR MOMENTARY SWITCHES, THE TOTAL OF NO AND NC IS LIMITED TO 5 MAX.  
 FOR LATCHING SWITCHES, THE TOTAL OF NO AND NC IS LIMITED TO 4 MAX.

Compliance: RohS III (2015/863/EU)

Tolerances: 0-1: ±0.1mm 1-4: ±0.3mm 4-16: ±0.5mm 16-63: ±0.8mm	Date	Name	<b>ICE22RKpc-xx20-Lxxx</b> <b>Key Selector Switch</b>	<b>30 40 23</b>	Page
	03/18	dr			2/2
			<b>knitter-switch</b>		
Panel design	10/23	dr			
Modifications	Date	Name			