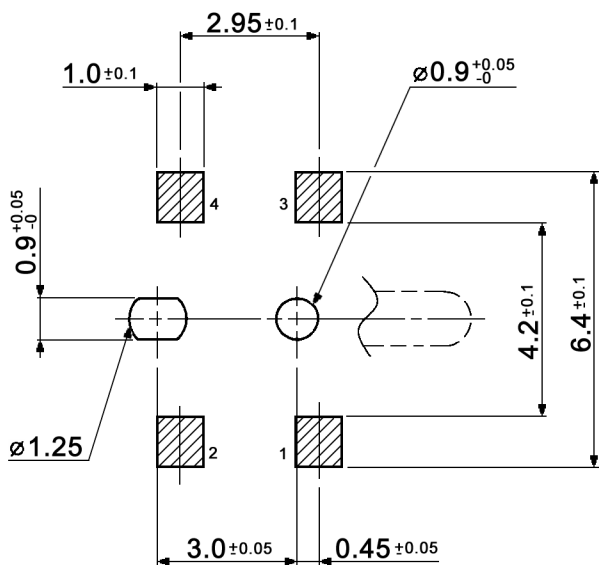
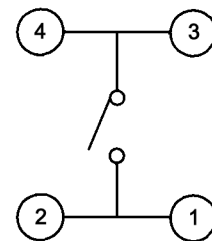


P.C.B. LAND DIMENSION  $\square 0.05$



CIRCUIT DIAGRAM



Compliance: RohS II (2011/65/EU)

Tolerances: up to 10: $\pm 0.2\text{mm}$ above 10-50: $\pm 0.3\text{mm}$		Date	Name
		07/11	dr
Operating temperature	10/16	dr	
Specifications	05/15	dr	
Table "x"	03/14	dr	
Revised	02/14	dr	
Rename	01/14	dr	
Modifications	Date	Name	

**DTS 110 CxP-RT-1S-LF**

**knitter-switch**

**30 24 25**

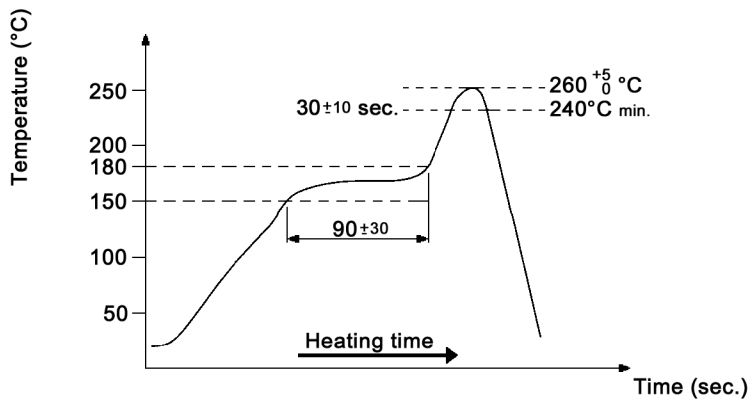
Page

1/3

**Specifications:**

**Contact rating:** 1mA, 5V DC  
**Contact resistance:** 10hm max.  
**Insulation resistance:** 100Mohm min. at 100V DC for 1 minute  
**Dielectric strength:** 100V AC (50/60Hz, 2mA) for 1 minute  
**Operating temperature:** -40°C to +85°C  
**Storage temperature:** -40°C to +85°C  
**Electrical life:** 100 000 cycles  
**Operating force:** 0.5N  
**Material:** Spring / cover: stainless steel, natural  
 Contact plate: stainless steel, gold plated  
 Case: PPA, black  
 Terminal: phosphor bronze, gold plated  
 Slider: HTN, black

**Soldering conditions:**

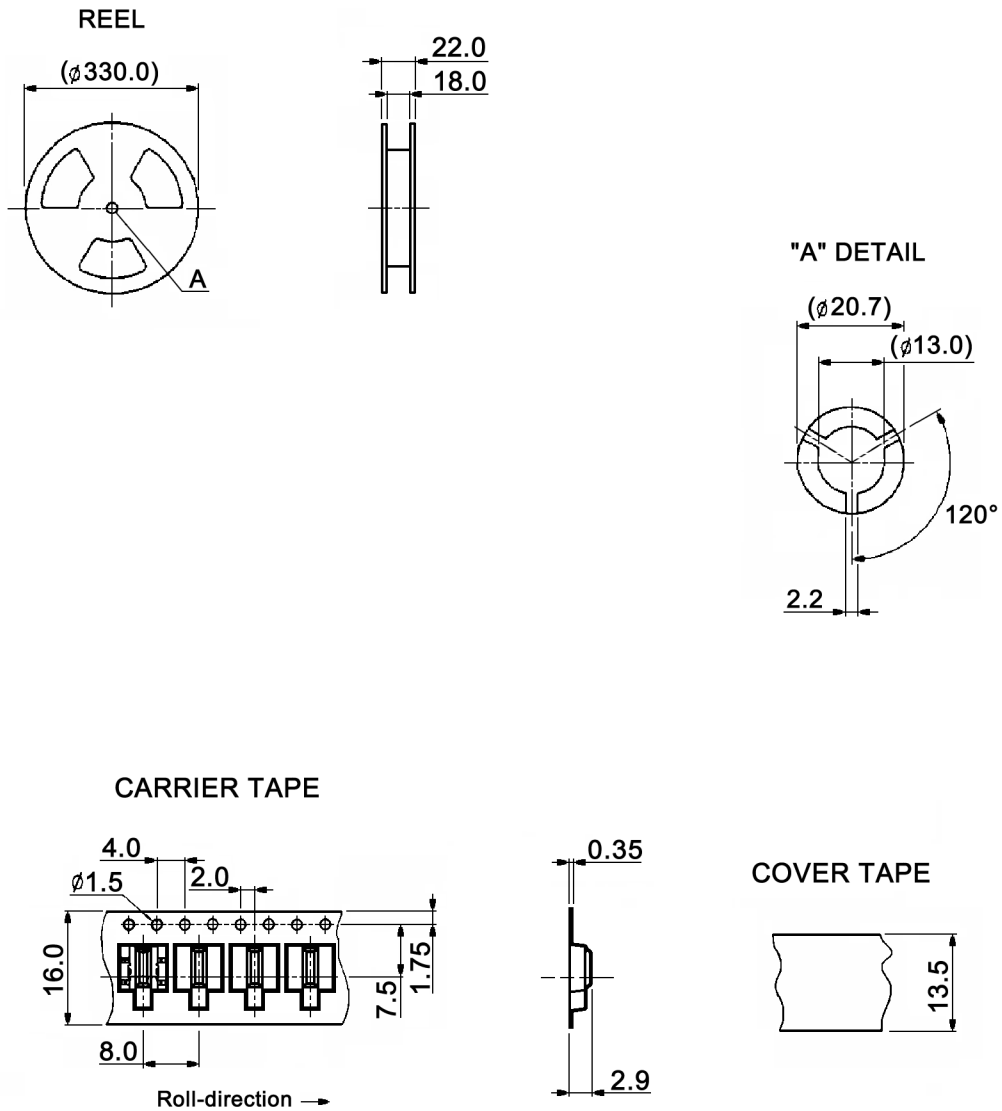


x	Contact and terminal surface
empty	silver plated
B	0.075µm gold plated

Compliance: RohS II (2011/65/EU)

Tolerances: up to 10: ±0.2mm above 10-50: ±0.3mm		Date	Name	<b>DTS 110 CxP-RT-1S-LF</b>	
		07/11	dr		
			<b>knitter-switch</b>	<b>30 24 25</b>	
Modifications			Date	Name	Page 2/3

Packaging:



Packaging unit: 3000 pcs. / reel  
 Compliance: RohS II (2011/65/EU)

Tolerances: up to 10: $\pm 0.2\text{mm}$ above 10-50: $\pm 0.3\text{mm}$		Date	Name
		07/11	dr
Modifications	Date	Name	

**DTS 110 CxP-RT-1S-LF**

**knitter-switch**

**30 24 25**

Page

3/3