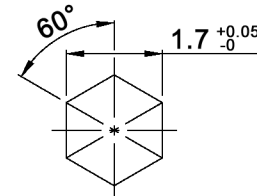
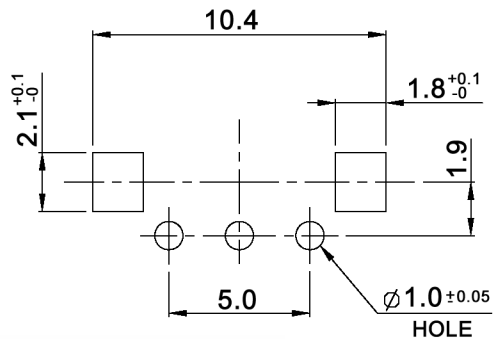


DETAIL "A"



P.C.B. MOUNTING
VIEWED FROM MOUNTING SIDE
t=1.6



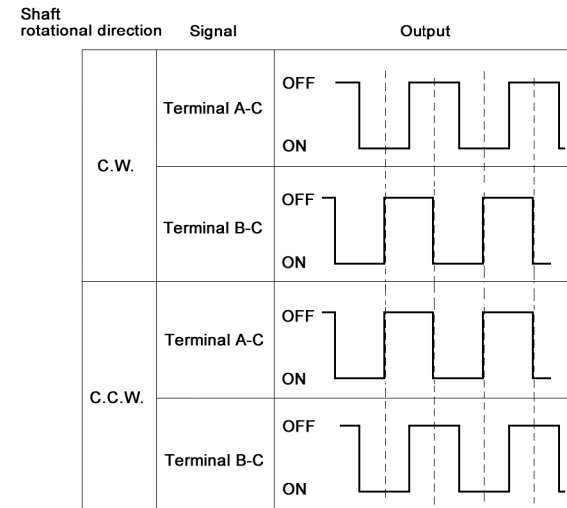
Compliance: RohS II (2011/65/EU)

Tolerances: ≤10: ±0.3mm 10-100: ±0.5mm		Date	Name	<h1>MER10-12R7</h1>
		09/09	dr	
Output signal format	12/15	dr	knitter-switch	<h2>30 19 26</h2>
Temperatures	11/12	dr		
Output signal format	04/11	dr		
Modifications	Date	Name		Page 1/2

Specifications:

Contact rating: 1mA, 5V DC
 Insulation resistance: 10MΩ min. at 50V DC
 Dielectric strength: 50V AC for 1 minute, 300V AC for 2 sec.
 Operating temperature: -40°C to +85°C
 Storage temperature: -40°C to +85°C
 Rotational life: 100 000 cycles
 Detent torque: 5 +/-3mNm
 No. of pulses: 12 pulses
 Pos. of detent: 24 detents (step angle: 15 +/-3°)
 Soldering conditions: auto-soldering: 260 +/-5°C, 3 +/-1sec.

OUTPUT SIGNAL FORMAT



Compliance: RohS II (2011/65/EU)

Tolerances: ≤10: ±0.3mm 10-100: ±0.5mm		Date	Name	<h1>MER10-12R7</h1>
		09/09	dr	
		knitter-switch		<h2>30 19 26</h2>
				Page
				2/2
Modifications	Date	Name		