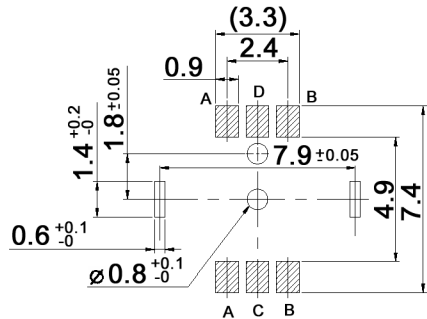
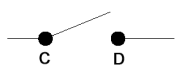


P.C.B. MOUNTING HOLE DETAIL



CIRCUIT DIAGRAM



Compliance: RohS III (2015/863/EU)

Tolerances:	L≤10: ±0.3 mm	Date	Name
	10<L: ±0.5 mm	11/24	dr
	100≤L: ±0.8 mm		
Modifications	Date	Name	

MERPS6-6210FPT

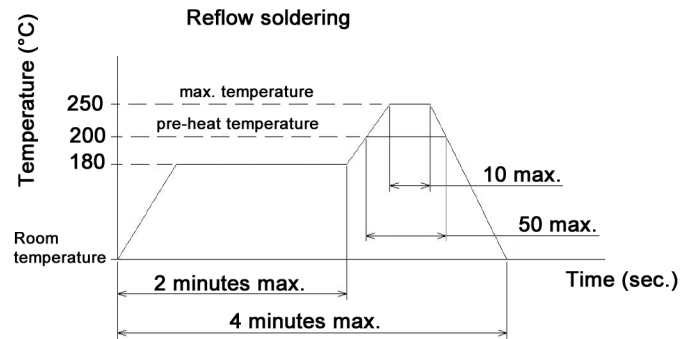
knitter-switch

30 56 03

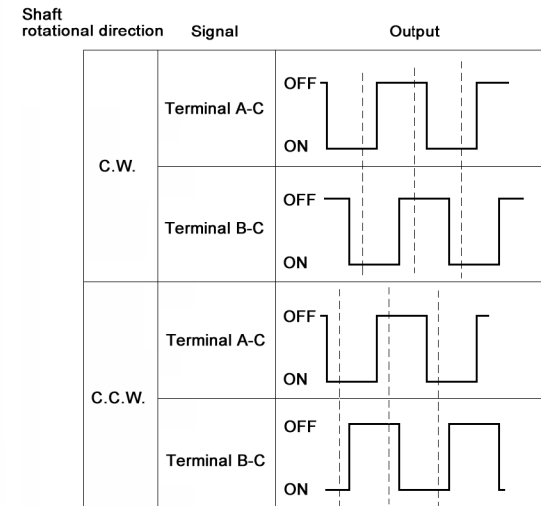
Specifications:

Contact rating: 10 mA, 5 V DC
 Contact resistance: 100 mOhm max.
 Insulation resistance: 50 MOhm min. at 100 V DC for 1 minute +/-5 sec.
 Dielectric strength: 100 V AC (leak current 1 mA) for 1 minute +/-5 sec.
 Operating temperature: -40°C to +85°C
 Storage temperature: -40°C to +85°C
 Detent torque: 0.15 to 0.5 Ncm
 No. and pos. of detent: 12 detents; step angle: 30° +/-3°
 No. of pulses: 12
 Rotational life: 20 000 cycles
 Switch: Mechanical life: 20 000 cycles
 Operating force: 4 +/-1 N

Soldering conditions:



OUTPUT SIGNAL FORMAT



Compliance: RohS III (2015/863/EU)

Tolerances: L≤10: ±0.3 mm		Date	Name	MERPS6-6210FPT
10<L: ±0.5 mm		11/24	dr	
100≤L: ±0.8 mm				
		knitter-switch		30 56 03
Modifications		Date	Name	Page 2/2